

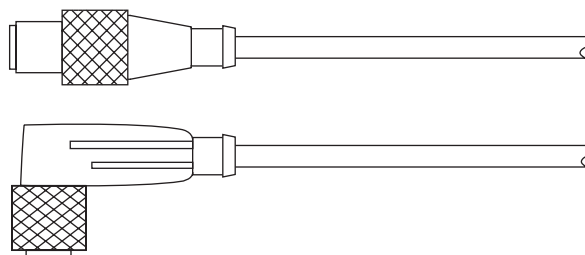
ACCESSORIES

Universal-plug system M12

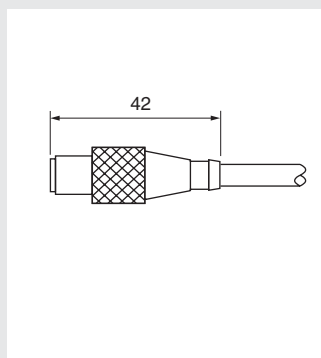


System SL

Finished cable plug casing
Self locking screw plug
Protection IP 67

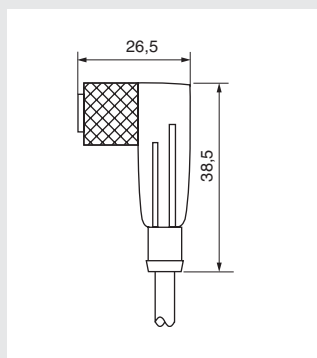


Cable plug housing straight

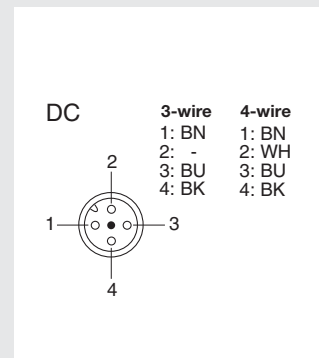


SLG...

Cable plug housing angular



SLW...



DC

TYPE	ID-NO.	DESIGN	
SLG 3-2	Z 01076	Cable plug housing M 12 DC, straight	2m PVC-cable 3x0.34 mm ²
SLG 3-5	Z 01077	Cable plug housing M 12 DC, straight	5m PVC-cable 3x0.34 mm ²
SLW 3-2	Z 01078	Cable plug housing M 12 DC, angular	2m PVC-cable 3x0.34 mm ²
SLW 3-5	Z 01079	Cable plug housing M 12 DC, angular	5m PVC-cable 3x0.34 mm ²
SLW 3-2-LED	Z 00052	Cable plug housing M 12 DC, angular	2m PVC-cable 3x0.34 mm ² PNP with LED
SLG 4-2	Z 00445	Cable plug housing M 12 DC, straight	2m PVC-cable 4x0.25 mm ²
SLG 4-5	Z 00449	Cable plug housing M 12 DC, straight	5m PVC-cable 4x0.25 mm ²
SLW 4-2	Z 00446	Cable plug housing M 12 DC, angular	2m PVC-cable 4x0.25 mm ²
SLW 4-5	Z 00450	Cable plug housing M 12 DC, angular	5m PVC-cable 4x0.25 mm ²
SLW 4-2-LED	Z 01157	Cable plug housing M 12 DC, angular	2m PVC-cable 4x0.25 mm ² PNP with LED
SLG 5-2	Z 01150	Cable plug housing M 12 DC, straight	2m PVC-cable 5x0.34 mm ²
SLW 5-2	Z 01151	Cable plug housing M 12 DC, angular	2m PVC-cable 5x0.34 mm ²

TECHNICAL DATA

Protection	IP67	Supply voltage	250 VAC / 300 VDC
Volume resistance	≤ 5mΩ	Isolation group	C to VDE 0110
Switching resistance	4A (CSA=3A)	Testing voltage	2.0 KV eff.
Temperature range	-25...+90 °C		

Note

Sensors with NC output are connected to 4 pole cable plug housings. In this case, the break output is connected to the white lead (connection 2)..

ACCESSORIES

Universal-plug system M12

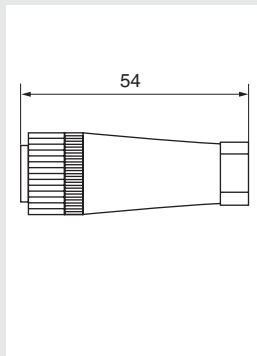


System SB

Cable plug user-assembled
Great variety of cables
Protection IP 67

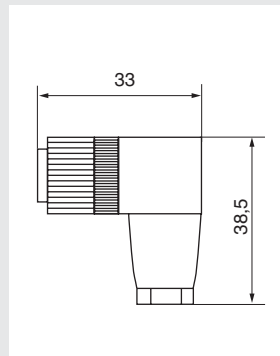


Cable plug housing straight

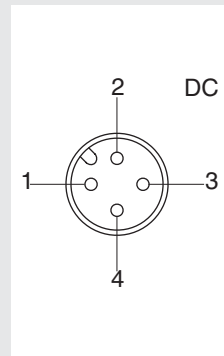


SBG...

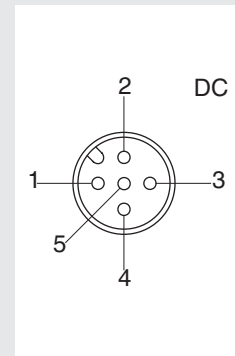
Cable plug housing angular



SBW...



DC



DC

TYPE	ID-NO.	DESIGN	
SBG-DC	Z01060	DC-Cable plug housing M 12 straight	user assembled 220 VDC, 3 A
SBW-DC	Z00038	DC-Cable plug housing M 12 angular	user assembled 220 VDC, 3 A
SBG 5-DC	Z01146	DC-Cable plug housing M 12 straight 5-pol	user assembled 30 VDC, 1 A
SBW 5-DC	Z01147	DC-Cable plug housing M 12 angular 5-pol	user assembled 30 VDC, 1 A

PREFERRED CABLE

PVC 205	Z01061	PVC-cable 2x0.5 mm ²	Lead color coding: BN/BU
PVC 205B	Z01062	PVC-cable 2x0.5 mm ² , blue cable covering	Lead color coding: BN/BU
PVC 305	Z01063	PVC-cable 3x0.5 mm ²	Lead color coding: BN/BU/BK
PVC 305E	Z01064	PVC-cable 3x0.5 mm ²	Lead color coding: BN/BU/GN-YE
PVC 434	Z01066	PVC-cable 4x0.34 mm ²	Lead color coding: BN/BU/BK/WH
PVC 405	Z01067	PVC-cable 4x0.5 mm ²	Lead color coding: BN/BU/BK/WH
PVC 505	Z01116	PVC-cable 5x0.5 mm ²	Lead color coding: BN/BU/BK/WH/GY
PUR 425S	Z01069	PUR-cable 4x0.25 mm ² , shielded	Lead color coding: BN/BU/BK/WH
PUR 425BS	Z01070	PUR-cable 4x0.25 mm ² , shielded, blue cable covering	Lead color coding: BN/BU/BK/WH
	Z01075	Finishing of cable plug housing and cable extremity	

Note

Different cables on request

Code: BK = black BN = brown BU = blue GN = green YE = yellow GY = grey PK = pink WH = white

ACCESSORIES

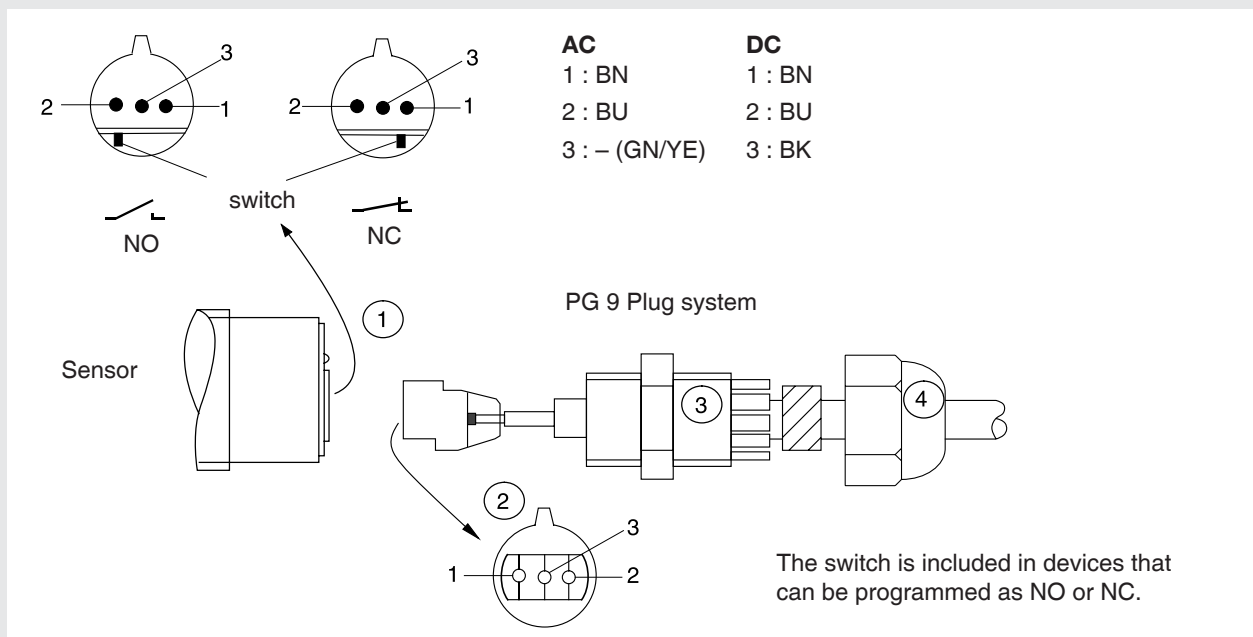
PG plug system



System PG

- PG plug type connection with PVC-cable
- Protection IP 68

PG-plug connection



Mounting of PG-Plug system

Connect the cable to the EGE-plug (2) and put it into the plug-housing (1) until it is at the stop. Make sure that the "nose" of the plug fits exactly into the housing. If this is done in the right way, the plug is hidden in the plug-housing.

Screw part (3) into the plug-housing (1) and fix it rightly with a spanner. After about 2 hours tighten it again with the spanner.

Now fit the nut (4) by hand and afterwards with a spanner. Do not apply too much force. For a good sealing there should be a gap of 2 mm between nut (4) and part (3).

TYPE	ID-NO.	DESIGN
PG 2-2	Z00025	PG-plug connection, 2m PVC-cable 2x0.75 mm ²
PG 2-3	Z00026	PG-plug connection, 3m PVC-cable 2x0.75 mm ²
PG 2-5	Z00027	PG-plug connection, 5m PVC-cable 2x0.75 mm ²
PG 2-10	Z00028	PG-plug connection, 10m PVC-cable 2x0.75 mm ²
PG 2-20	Z00029	PG-plug connection, 20m PVC-cable 2x0.75 mm ²
PG 3-2	Z00020	PG-plug connection, 2m PVC-cable 3x0.5 mm ²
PG 3-3	Z00021	PG-plug connection, 3m PVC-cable 3x0.5 mm ²
PG 3-5	Z00022	PG-plug connection, 5m PVC-cable 3x0.5 mm ²
PG 3-10	Z00023	PG-plug connection, 10m PVC-cable 3x0.5 mm ²
PG 3-20	Z00024	PG-plug connection, 20m PVC-cable 3x0.5 mm ²

Note

The power supply must be disconnected before the plug will be installed or removed.

Code: BK = black BN = brown BU = blue GN = green YE = yellow GY = grey PK = pink WH = white

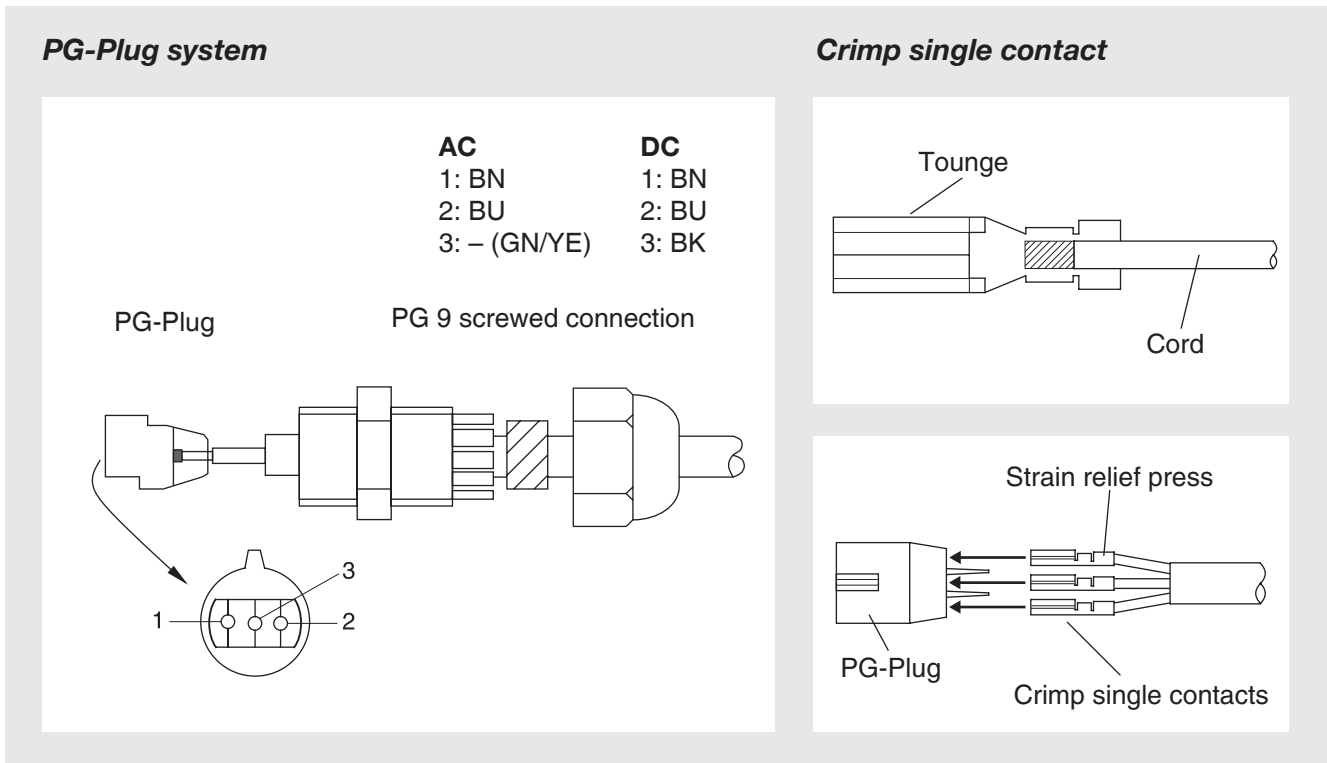
ACCESSORIES

PG-Plug System



System PG

- PG-Plug system to be connected
- Great variety of cables
- Protection IP 68



Completing of PG-Plug system

The end of cable must be 15 mm dismantled. The end of the cords must be striped of 3 mm. Incorporate Crimp single contact (Z01082) into a roll press nipper. Put the cord into the tongue (see sketch) and press. Incorporate the contacts into the backside of the PG-plug until the strain relief press is locked. Nipper eg.: Lapp-DBR 0115 / female mould 0.5 - 1.0 mm².

TYPE	ORDER-NO.	DESIGN	
PGS	Z00044	PG-Plug, separate 250 VAC / 220 VDC, 1 A	
PGV	Z00043	PG-Plug, separate with PG 9 screwed connection	
PGC	Z01082	Crimp single contact	
PVC 205	Z01061	PVC-cable 2x0,5 mm ²	Lead colour coding: BN/BU
PVC 205 B	Z01062	PVC-cable 2x0,5 mm ² , blue cable covering	Lead colour coding: BN/BU
PVC 275	Z01086	PVC-cable 2x0,75 mm ²	Lead colour coding: BN/BU
PVC 305	Z01063	PVC-cable 3x0,5 mm ²	Lead colour coding: BN/BU/BK
PVC 305 E	Z01064	PVC-cable 3x0,5 mm ²	Lead colour coding: BN/BU/GN-YE
PVC 375	Z01065	PVC-cable 3x0,75 mm ²	Lead colour coding: BN/BU/BK
PUR 375	Z01068	PUR-cable 3x0,75 mm ²	Lead colour coding: BN/BU/BK
Finishing	Z01080	One side finishing PG-Plug system incl. screwed connection	
	Z01081	Finishing of PG-Plug system incl. screwed connection and cable extremity	

Note

Different cables on request. Cables with diameters less than 4 mm must be equipped with an appropriate shrinkdown plastic tubing.

Code: BK = black BN = brown BU = blue GN = green YE = yellow GY = grey PK = pink WH = white

ACCESSORIES

Summary of plug connections



TYPE	ID-NO.	DESIGN	CONNECTION	APPLICATION
K031-S (C16S)	Z01042 (Z00039)			cable plug
K031-D	Z01043			cable plug casing
VEG5-... VEG5-5	 Z60501		 1: BK 2: BU 3: YE/GN 4: BN 5: WH	cable plug casing with cable IP 68 cable plug casing with 5 m PU-Kabel IP 68
LEM01	Z01104		 shield 1: WH 2: BK	cable plug Application with KGFT... and KGMT... together with amplifier KK 034 / KU 080

Note

All connections are shown in top view. Cable plugs are with contact pins, cable plug casings with sockets.

Code: BK = black BN = brown BU = blue GN = green YE = yellow GY = grey PK = pink WH = white

ACCESSORIES

Cable

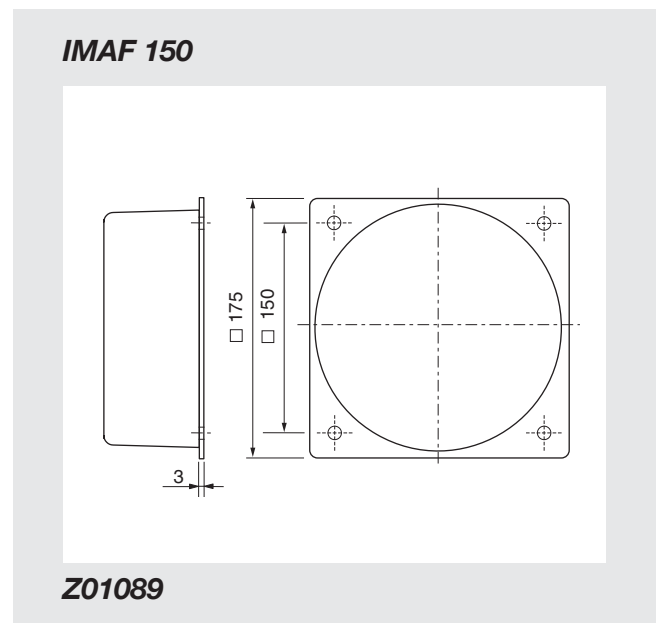
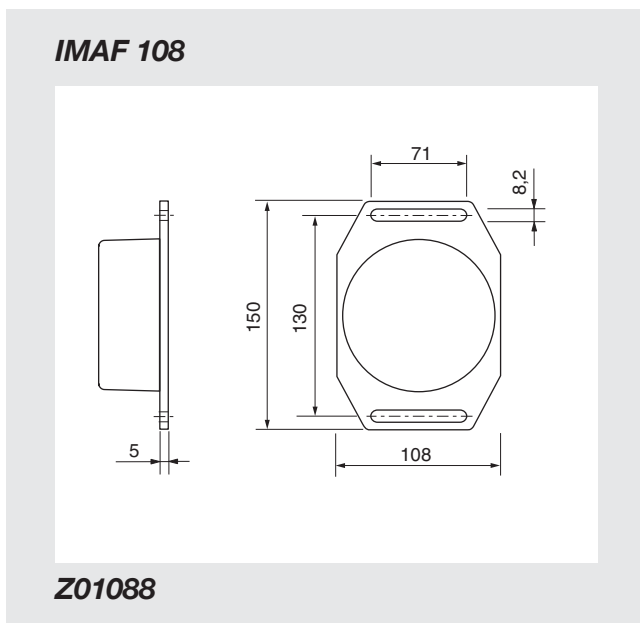
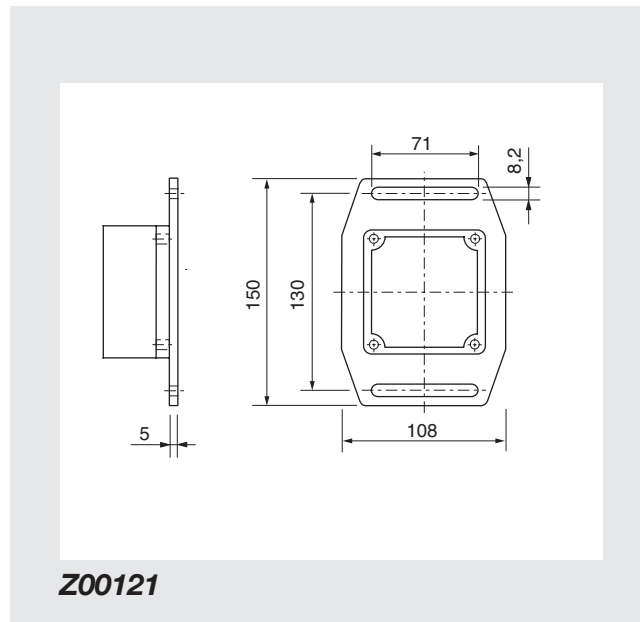


TYPE	ID-NO.	MATERIAL/CASING	Ø _A [mm]	WIRE SPECIFICATION	COLOR
PVC205	Z01061	PVC, grey	5.2	2x0.5 mm ²	BU, BN
PVC205B	Z01062	PVC, blue	4.4	2x0.5 mm ²	BU, BN
PVC275	Z01086	PVC, grey	6	2x0.75 mm ²	BU, BN
PVC275BS	Z01108	PVC, blue	6.3	2x0.75 mm ² shielded	BU, BN
PVC334	Z01109	PVC, grey	4.0	3x0.34 mm ²	BU, BN, BK
PVC305E	Z01064	PVC, grey	5.2	3x0.5 mm ²	BU, BN, GN/YE
PVC305	Z01063	PVC, grey	5.2	3x0.5 mm ²	BU, BN, BK
PVC375	Z01065	PVC, grey	6.0	3x0.75 mm ²	numbered cable
PVC375E	Z01111	PVC, grey	6.0	3x0.75 mm ²	BU, BN, GN/YE
PVC425	Z01110	PVC, grey	4.3	4x0.25 mm ²	BU, BN, BK, WH
PVC434	Z01066	PVC, grey	4.5	4x0.34 mm ²	BU, BN, WH, BK
PVC405	Z01067	PVC, grey	5.5	4x0.5 mm ²	BU, BN, WH, BK
PVC475E	Z01113	PVC, grey	6.8	4x0.75 mm ²	BU, BN, BK, GN/YE
PVC475BS	Z01114	PVC, blue	8.8	4x0.75 mm ² shielded	numbered cable
PVC505	Z01116	PVC, grey	5.8	5x0.5 mm ²	BU, BN, WH, BK, GY
PVC705	Z01117	PVC, grey	6.6	7x0.5 mm ²	BU, BN, WH, GN, YE, GY, PK
PUR334	Z01156	PUR, grey		3x0.34 mm ²	
PUR375	Z01068	PUR, black	5.4	3x0.75 mm ² -40°C	BU, BN, BK
PUR425S	Z01069	PUR, grey	5.0	4x0.25 mm ² shielded	BU, BN, WH, BK
PUR425BS	Z01070	PUR, blue	5.0	4x0.25 mm ² shielded	BU, BN, WH, BK
PUR405	Z01112	PUR, grey	6.2	4x0.5 mm ²	BU, BN, WH, BK
PUR475SE	Z01118	PUR, grey	9.5	4x0.75 mm ² shielded	numbered cable
FEP375	Z01165	FEP, red		3x0.75 mm ²	BU, BN, GN, YE
PUR410E	Z01119	PUR, orange	8.0	4x1.0 mm ²	BU, BN, BK, GN/YE
PTFE375S	Z01126	PTFE, red	5.0	3x0.75 mm ² shielded	BU, BN, BK
PTFE334	Z01071	PTFE, red	3.8	3x0.34 mm ²	BU, BN, BK
PTFE425S	Z01073	PTFE, red	4.1	4x0.25 mm ² shielded	BU, BN, BK, WH
PTFE425	Z01072	PTFE, red	3.7	4x0.25 mm ²	BU, BN, BK, WH
PTFE425BS	Z01125	PTFE, blue	4.1	4x0.25 mm ² shielded	BU, BN, BK, WH
Silikon375E	Z01121	Silicone, red	6.3	3x0.75 mm ²	BU, BN, GN/YE
Silikon475E	Z01122	Silicone, red	6.5	4x0.75 mm ²	BU, BN, BK, GN/YE
Silikon475SE	Z01115	Silicone, red	8.8	4x0.75 mm ² shielded	BU, BN, BK, GN/YE
Silikon305	Z01143	Silicone, red		3x0.5 mm ²	BU, BN, BK
PVC705SE	Z01123	PVC-transparent	9.9	7x0.5 mm ² shielded	numbered cable, GN/YE

Code: BK = black BN = brown BU = blue GN = green YE = yellow GY = grey PK = pink WH = white

ACCESSORIES

Mounting plates for inductive switches



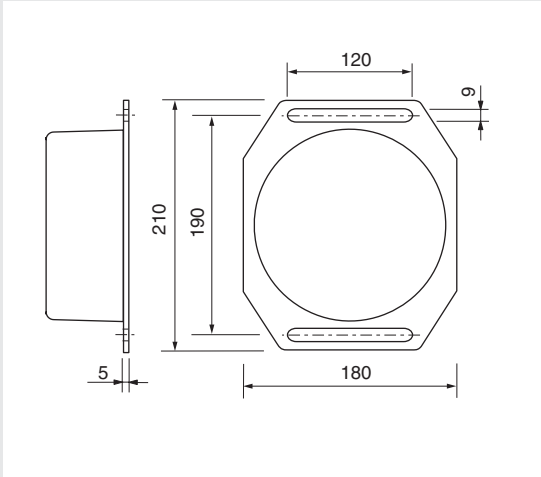
TYPE	ID-NO.	DESIGN		
IMK 108	Z00121	for IDS 080	Polyamide	Secondary mounting
IMAF 108	Z01088	for INS 100	Aluminium	Sensor and plate are connected together
IMAF 150	Z01089	for INS 160	Aluminium	Sensor and plate are connected together

ACCESSORIES

Mounting plates for inductive switches

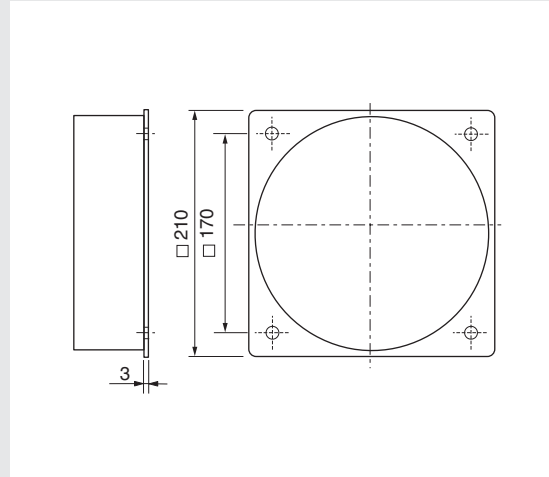


IMAF 180



Z00124

IMAF 210 / IMEF 210



Z00123 / Z01090

TYPE	ID-NO.	DESIGN		
IMAF 180	Z00124	for INS 160	Aluminium	Sensor and plate are connected together
IMAF 210	Z00123	for IDS 200	Aluminium	Sensor and plate are connected together
IMEF 210	Z01090	for IDS 200	stainless steel	Sensor and plate are connected together

Note

Different designs and materials are available on request.

ACCESSORIES

Product section 1



TYPE	ID-NO.	DIMENSIONS	DESIGN
Flange - Ø 20	Z01106		<p>Plastic - flange with drilled hole Ø 20 mm</p> <p>for sensors type LN 520 / LN 020</p>
Flange DN25/PN40	Z01001		<p>Flange 1.4571 (AISI 316) EN 1092-1/05 A (DIN 2527) with central thread G1/2</p> <p>for sensors type ST... with G1/2</p>
A501	Z01033		<p>Thread sleeve of brass, nickel-plated, L=50 mm, G1</p> <p>for sensors type LN 450</p>
A502	Z01034		<p>Thread sleeve of brass, nickel-plated, L=50 mm, G1</p> <p>for sensors type LN 450</p>
A503	Z01035		<p>Welding sleeve of FE 360 B (1.0037), L=50 mm, G1</p> <p>for sensors type LN 450</p>

ACCESSORIES

Product section 1



TYPE	ID-NO.	DIMENSIONS	DESIGN												
SIA G1/4 - 1/4 - 1/4	Z01018		Adapter for G 1/4-sensors with G 1/4-pipe connections Material: 1.4571 (AISI 316) Sensors: STK 412... Massflow down to 10 ml/min												
SIA G1/2 - 1/4 - 1/4	Z01107		Adapter for G 1/2-Sensoren with G 1/4-pipe connections Material: 1.4571 (AISI 316) Sensors: STK 421... Massflow down to 10 ml/min												
SDA M16 - G1/2	Z01017		Transition piece for inline-sensors SD... to G 1/2-female thread Material: 1.4571 (AISI 316)												
SDA M16 - G3/4	Z01028		Transition piece for inline-sensors SD... to G 3/4-female thread Material: 1.4571 (AISI 316)												
SV-M12-6 SV-M16-10 SV-M16-12	Z01083 Z01084 Z01085		Compression fitting 1.4571 (AISI 316) <table border="1" style="margin-top: 10px;"> <thead> <tr> <th></th> <th>SV-M12-6</th> <th>SV-M16-10</th> <th>SV-M16-12</th> </tr> </thead> <tbody> <tr> <td>G</td> <td>M 12x1,5</td> <td>M 16x1,5</td> <td>M 16x1,5</td> </tr> <tr> <td>D</td> <td>6 mm</td> <td>10 mm</td> <td>12 mm</td> </tr> </tbody> </table>		SV-M12-6	SV-M16-10	SV-M16-12	G	M 12x1,5	M 16x1,5	M 16x1,5	D	6 mm	10 mm	12 mm
	SV-M12-6	SV-M16-10	SV-M16-12												
G	M 12x1,5	M 16x1,5	M 16x1,5												
D	6 mm	10 mm	12 mm												

ACCESSORIES

Product section 2-4



LOCK NUTS

Brass chromium - plated

ID.-NO.	Z00106	Z00107	Z00114	Z00109	Z00110
Nut thickness [mm]	4	4	4	5	5
Thread	M 12x1	M 18x1	M 22x1	M 30x1.5	M 38x1.5
Spanner size	17	24	27	36	50

Special steel

ID.-NO.	Z01097	Z01098	Z00112	Z00113	Z00115
Nut thickness [mm]	3	4	4	4	5
Thread	M 5x0.5	M 8x1	M 12x1	M 18x1	M 30x1.5
Spanner size	7	13	17	24	36

Plastics

ID.-NO.	Z00180	Z00120	Z00117	Z00118	Z00119	Z01092	Z01052
Nut thickness [mm]	6	8	4	5	5,5	8	8
Thread	M 14x1	M 30x1.5	M 12x1	M 18x1	M 30x1.5	G 3/4	G 1
Spanner size	22	41	17	24	36	41	50
Material	PTFE	PTFE	Noryl	Noryl	Noryl	PTFE	PTFE

CENTRAL SCREW (DIN 912)

Polyamide

ID.-NO.	Z00104	Z00105
Thread	M 12	M 16
Length [mm]	70	90
Hexagon socket [mm]	10	14

MOUNTING CLAMPS

TYPE	ID.-NO.	DIMENSIONS	DESIGN																		
Mounting clamp Ø 20 Mounting clamp Ø 34	Z00100 Z00102	<p>E: Hexagon socket screw 1.4305</p>	Clamps of Grilon, for smooth-bodied switches <table border="1"> <thead> <tr> <th>F</th> <th>Ø 20</th> <th>Ø 34</th> </tr> </thead> <tbody> <tr> <td>A</td> <td>47</td> <td>61</td> </tr> <tr> <td>B</td> <td>30</td> <td>47</td> </tr> <tr> <td>C</td> <td>17</td> <td>15</td> </tr> <tr> <td>D</td> <td>32</td> <td>45</td> </tr> <tr> <td>E</td> <td>M 5x30</td> <td>M 5x50</td> </tr> </tbody> </table>	F	Ø 20	Ø 34	A	47	61	B	30	47	C	17	15	D	32	45	E	M 5x30	M 5x50
F	Ø 20	Ø 34																			
A	47	61																			
B	30	47																			
C	17	15																			
D	32	45																			
E	M 5x30	M 5x50																			
Mounting clamp Ø 35	Z00125	<p>Hexagon socket screw 1.4571</p>	Clamp of PTFE (Teflon), for smooth-bodied switches Hexagon socket screw M 5x40																		

ACCESSORIES

Product section 5-6



TYPE	ID-NO.	DIMENSIONS	DESIGN
Reflector Ø 80 mm	Z01093		Reflector for retro reflective photo sensors central screw mounting
Bracket	Z01095	<p>Holes Ø 5,3 mm</p>	Mounting of the rectangular sensor type U..900
Plug adapter	Z01096		Adapter with screw clamp connection for DIN rail (EN 50022) to connect to the amplifier UV 70...
OMB 01	Z06004		Adjustable mounting for infra-red detectors and opto sensors Material 1.4571 (AISI 316)
Mounting clamp Ø 25	Z00126	<p>Hexagon socket screw 1.4305</p>	Clamp of chromium - plated brass for auxilliary optics type ULV... Hexagon socket screw M 5x40